

REMOTE INDICATION INTERFACE

TYPE RIS-FR

for overhead lines

Description

The remote indication interface type RIS-FR is used to retrofit up to 9 fault indicators of the FLA3.1 product line with potential free SCADA contacts. These contacts can be used to connect the fault indicators for overhead lines with an existing wire or wireless remote indication system.

General information

The type RIS-FR is also providing remote reset and test inputs. By closing one of these contacts (e.g. by a remote controlled relay contact), all FLA3.1s in range of the RIS-FR will perform a reset resp. test.

The remote indication interface type RIS-FR consists of a circuit board, which can be retrofitted into an existing housing of a remote indication device. Alternatively the board can be provided inside a IP65 housing.

The board is self-powered by lithium batteries and can optionally be equipped with the external power supplies 12-48V DC or alternatively 115V/230V AC. The lifetime of the batteries depends on the number of faults/year (minimum life time: 10 years with 30 faults a year without external supply).

Contact mappings

The nine contacts dedicated for the fault indicators can be assigned in three different ways. The configuration of the contacts can be configured at site.

Mapping 1: One contact per indicator. This allows the remote indication of faults and reset events per phase. The type of contact (permanent contact or wipe contact) depends on the configuration of the overhead line indicators.

Mapping 2: The contacts are assigned to remotely indicate permanent and temporary faults as well as voltage on/off events. The indicators are grouped in bundles of three.

Mapping 3: One contact per indicators. The type of contact will be a permanent contact when the indicators remotely indicates a permanent fault and a wipe contact when the indicators remotely indicates a temporary fault. This allows remote indication of faults per phase and type of faults.

(Please refer to the instruction manual for detailed information about the three mappings and the contact types.)

Please note: The predecessor of the FLA3.1 product line, the short-circuit indicators type FLA3, is also fully compatible with the RIS-FR.



figure 1: RIS-FR housing

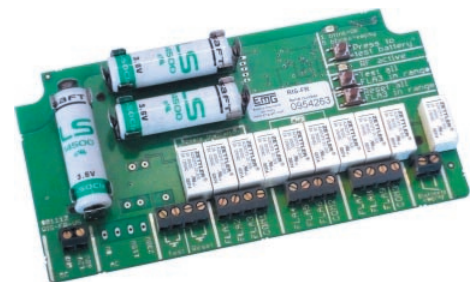


figure 2: RIS-FR circuit board

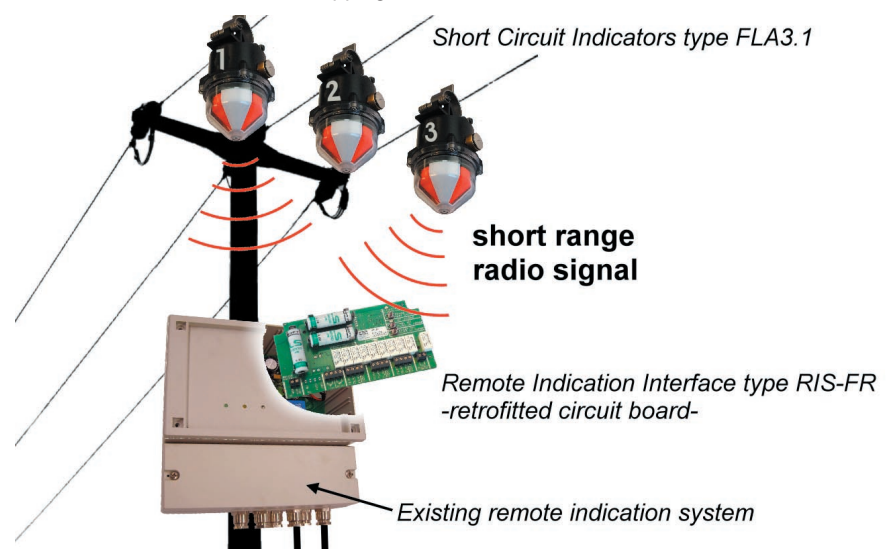
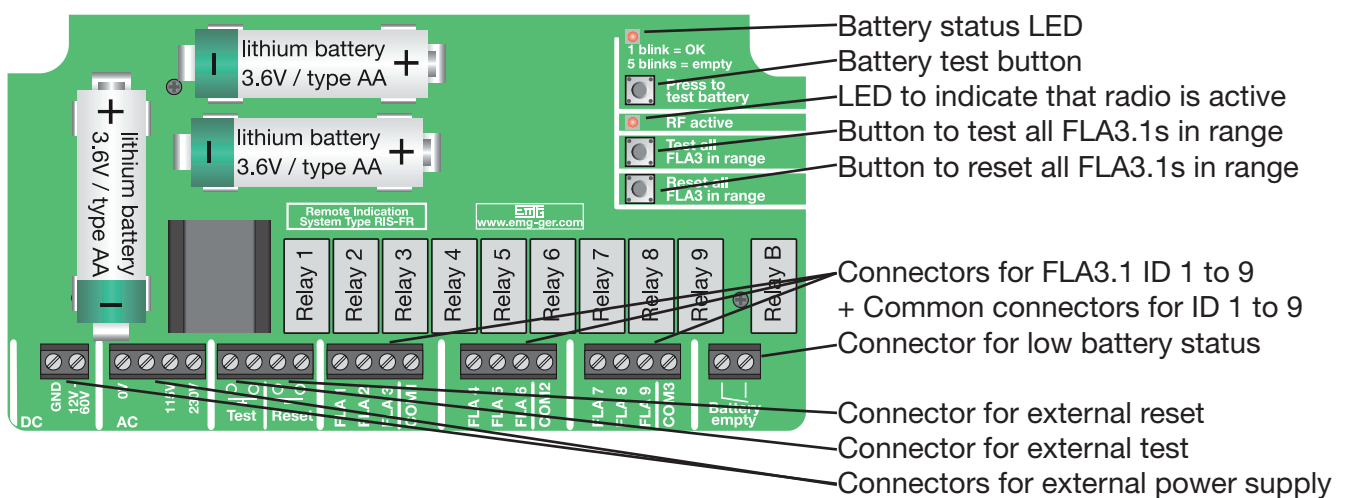


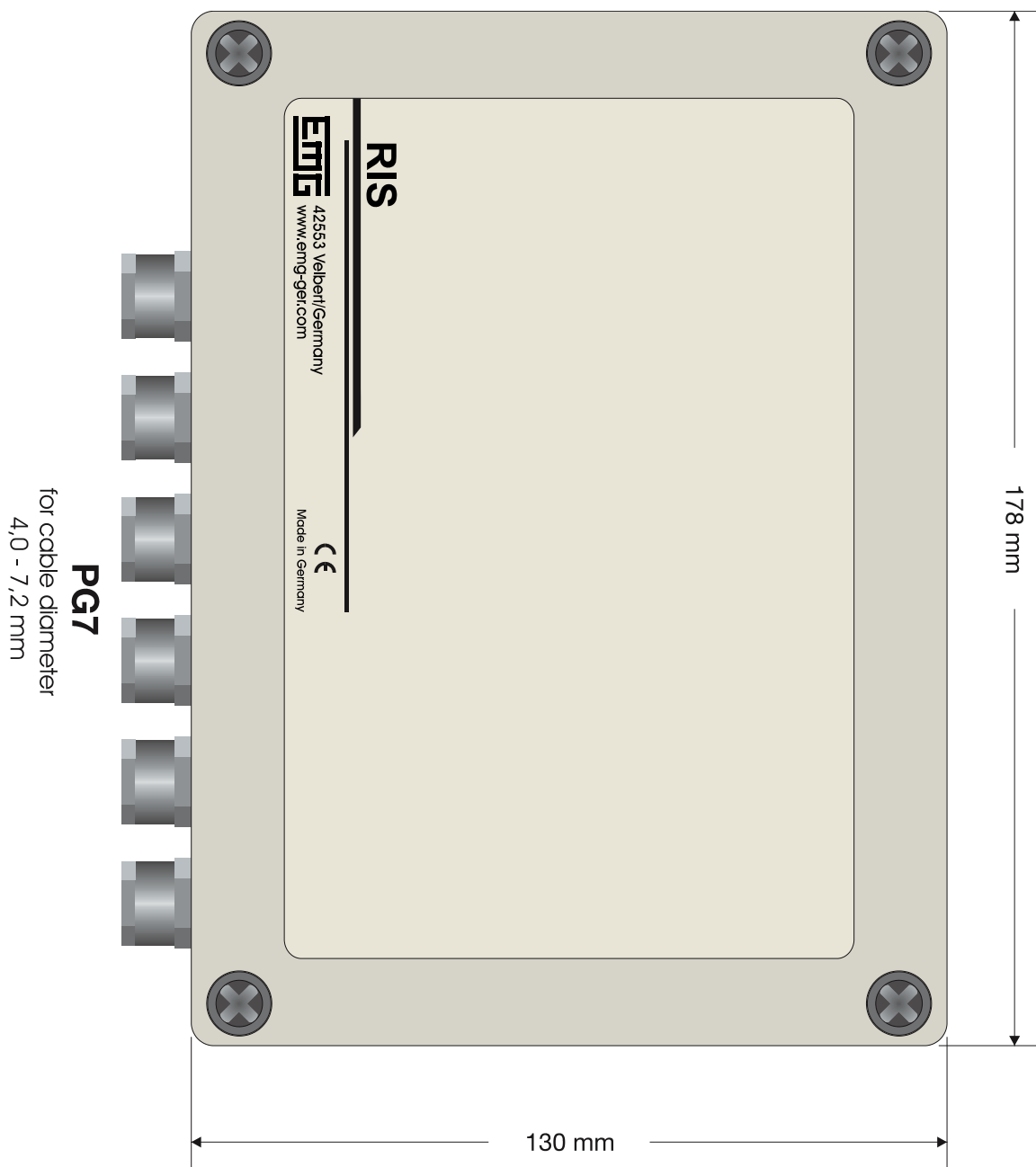
figure 3: function of RIS-FR

General Data

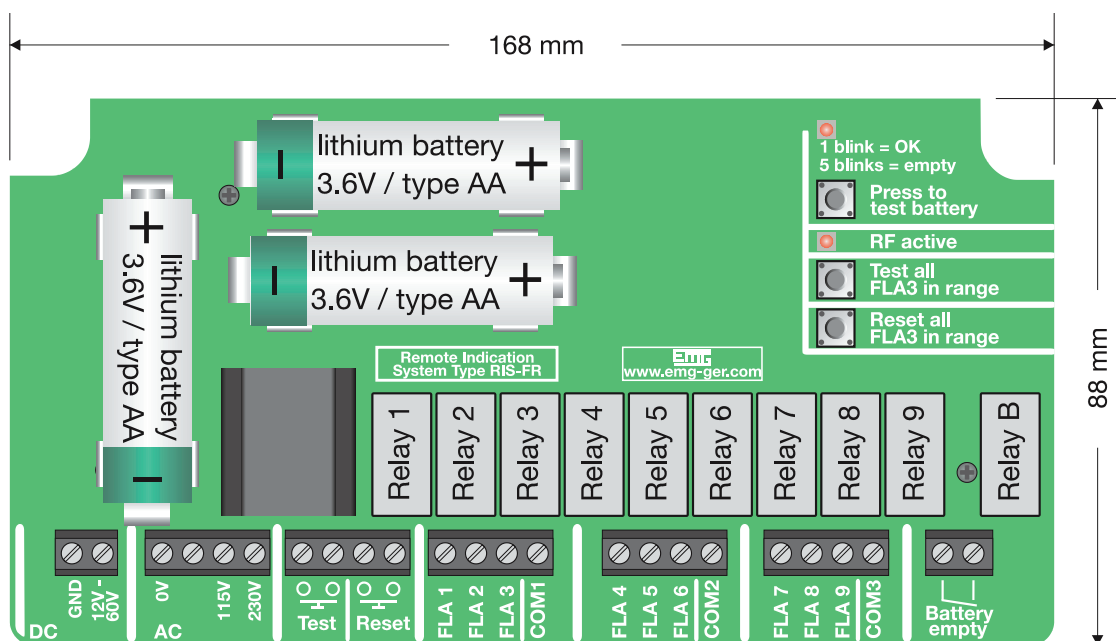
Subject	Value
dimensions: housing	height: 130 mm width: 178 mm depth: 52 mm
dimensions: circuit board	height: 88 mm width: 168 mm
protection class: housing	IP65
housing	suitable for surface installation
on site function test	a) battery test b) test all FLA3.1 in range c) reset all FLA3.1 in range
communication	433MHz radio interface for communication with FLA3.1
internal type tests	according to IEEE 495-2007
operation temperature range	-20°C to +70°C
power supply	a) 3 pcs. lithium batteries (LiSOCl ₂) type AA / 3.6V/2.6Ah b) optional: 12 - 48 VDC c) optional: 115V AC / 230V AC
SCADA contact	a) 9 potential free NO contacts for 9 FLA3.1s Contact type depends on the FLA3.1's configuration and mapping: permanent contact / wipe contact (1000ms) max. 230 V AC / max. 2 A / max. 30 W b) 1 potential free NO contact for low battery status



*PLEASE NOTE: other values can be ordered



42.1547.04



42.1588.05