

## SHORT-CIRCUIT INDICATOR

### TYPE **K/KM/KH**

single conductor mounted

#### General description

The short-circuit indicator can be used in radial networks with one input and open-ring networks. The short-circuit indicators are single units and mounted on each conductor. The short-circuit indicator type K / KM / KH consists of one sensor with integrated indication. The indication is done by a flag indicator. The indicator is divisible and can be retrofitted.

For the operation of the display device no power supply is required.

#### Versions

- Type K:** Automatic reset by recovering operating voltage. The indicator must be installed on unshielded cables.
- Type KH:** Manual reset with a button. The indicator can be mounted on shielded and unshielded cables.
- Type KM:** Automatic reset by recovering operating voltage and manual reset. The indicator must be installed on unshielded cables.



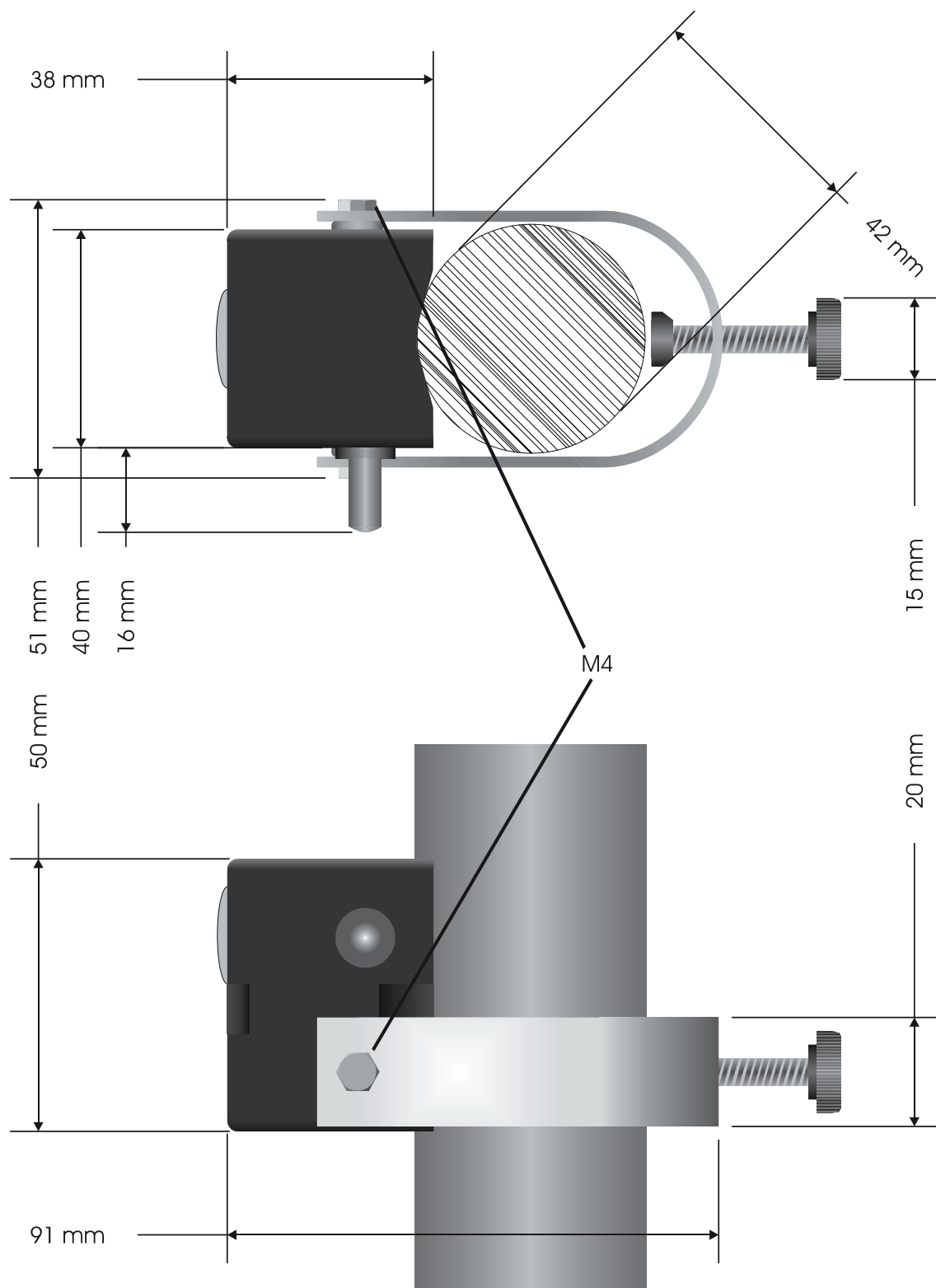
## General Data

Subject	Value
short-circuit current (phase to phase)	One trip current available between 150 and 1500 A
display unit	suitable for surface installation
display of short-circuit	flag indication
reset of the indicator	a) manual by push-button (Type KM and KH only) b) self-acting after recovering medium voltage (Type K and KM only) Please note: For automatic reset by recovering medium voltage, the indicator must be installed on an unscreened conductor! (suitable for type K and KM only) Reset time depends on voltage and the environment.
dimensions: display unit	(WxHxD) 40mm x 50mm x 38mm
protection class: display unit	IP67
impact test	IEC 61243-5:1997
salt fog test	IEC 61243-5:1997
impulse voltage test/AC voltage test	IEC 61243-5:1997
internal type test	according to IEEE 495-2007
operation temperature range	-40°C to +80°C
maximum humidity	100%
power supply	no supply required

## Standard steel frames for assembling

Subject	Value
round conductor	5 - 15 mm
round conductor	15 - 25 mm
round conductor	22 - 42 mm
round conductor	40 - 50 mm
round conductor	50 - 65 mm
flat conductor	up to 40x10 mm
flat conductor	40x10 to 60x15 mm

\*PLEASE NOTE: other values can be ordered



24.2054.00